

# Voyager 4 Slim Mobility System



## SPECIFICATIONS

CTG-16864-KLAS-V4S Voyager 4 Slim Mobility System

Cases2Go's CTG-16864-KLAS-V4S injection molded plastic case integrates the KLAS Voyager 4 Slim chassis into a compact, airline carry-on compliant case with high-airflow fan panels, and optional modules. The case is engineered to exceed ATA Spec 300, Category 1 and MIL-STD-810H.

## FEATURES

- Rugged injection molded case from SKB
- Quiet-glide wheels with retractable pull handle
- Front and rear covers
- Pressure relief valve
- Custom steel rack rails
- TSA locking latches
- Black stainless-steel hardware - RoHS / REACH
- KLAS Voyager 4 Slim Standard Chassis
- KLAS Voyager 12VDC 600W PSU (stored in separate case OD: 13 x 11 x 5.25)
- Twin 96 CFM High Airflow fan panels
- Outside dimensions 21.75 x 13.88 x 9
- Weight: 49 lbs. with (4) full-sized modules installed
- Available Colors: Black or Dark Gray



*Cases2Go is an Authorized Reseller of KLAS Products*

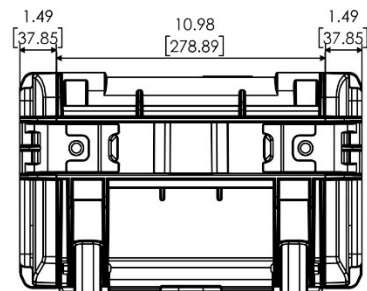
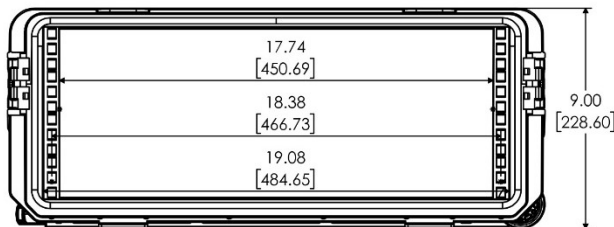
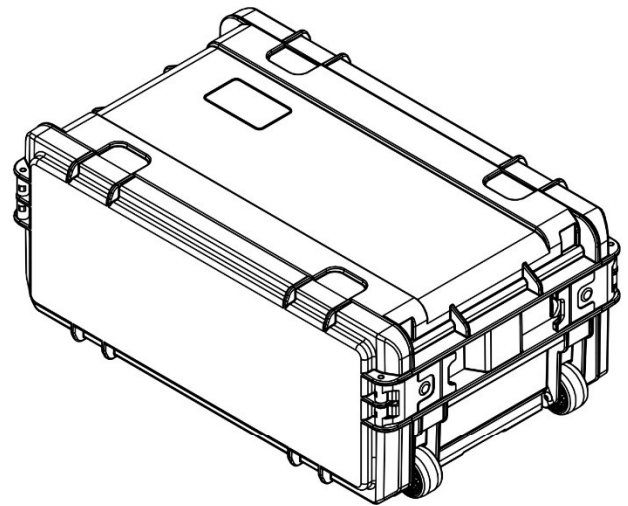
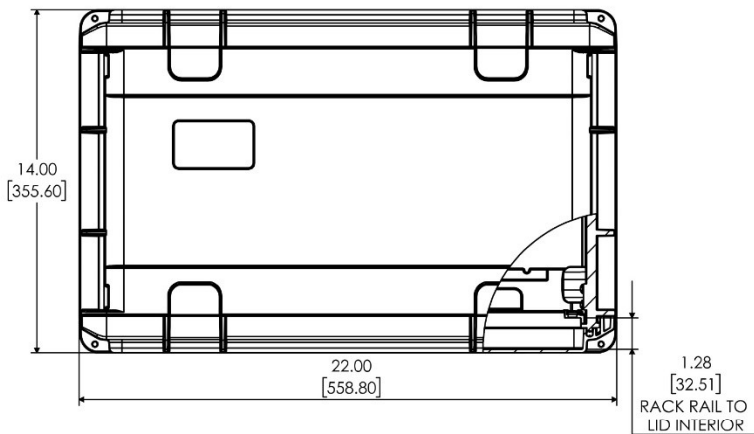


CASES2GO is a Tampa-based Value-Added Reseller (VAR) with over 40 years of military packaging and contracting experience, supporting USSOCOM for 24 years. We are a Small Business, committed to providing our military and government customers with deployable case solutions that are battle tested and field proven.

[www.cases2go.com](http://www.cases2go.com)  
[sales@cases2go.com](mailto:sales@cases2go.com)  
813-513-9911

**When it's MISSION CRITICAL, the CASE makes the MISSION POSSIBLE**

# Voyager 4 Slim Mobility System



CASES2GO is a Tampa-based Value-Added Reseller (VAR) with over 40 years of military packaging and contracting experience, supporting USSOCOM for 24 years. We are a Small Business, committed to providing our military and government customers with deployable case solutions that are battle tested and field proven.

[www.cases2go.com](http://www.cases2go.com)  
[sales@cases2go.com](mailto:sales@cases2go.com)  
 813-513-9911

When it's **MISSION CRITICAL**, the **CASE** makes the **MISSION POSSIBLE**